

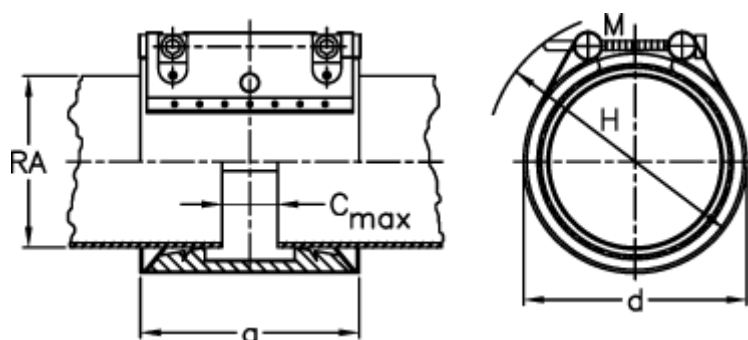
Data Sheet



Article number: 025799300104

Description: Norma Connect pipe coupling
GRIP E W5 Ø=104,6 EPDM, 16 bar

Measures



| | |
|---------------------------|---------------|
| a | = 98 |
| C max with insertion band | = 25 |
| d | = 125 |
| H | = 145 |
| M (screw) | = M10 |
| Nominal pressure (bar) | = 16 |
| RA | = 104 |
| RA min-RA max | = 102,9-105,1 |

Weight a piece = 1.7